


SACC-5P-DSI-M12MSB/FSB-M16

Order No.: 1551684



<http://eshop.phoenixcontact.de/phoenix/treeViewClick.do?UID=1551684>

Sensor/actuator control cabinet feed-through, male to female, 5-pos., M12, shielded, B-coded, bipolar/screw mounting with M16 thread

Commercial data	
GTIN (EAN)	4  046356 156219
sales group	D125
Pack	1 pcs.
Customs tariff	85366990
Catalog page information	Page 38 (PC-2009)

Product notes

WEEE/RoHS-compliant since:
09/07/2006



<http://www.download.phoenixcontact.com>
Please note that the data given here has been taken from the online catalog. For comprehensive information and data, please refer to the user documentation. The General Terms and Conditions of Use apply to Internet downloads.

Technical data

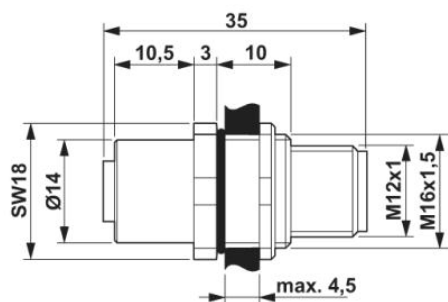
General data	
Rated current at 40°C	4 A
Rated voltage	24 V
Number of positions	5
Volume resistance	≤ 3 mΩ
Insulation resistance	≥ 100 MΩ

General characteristics

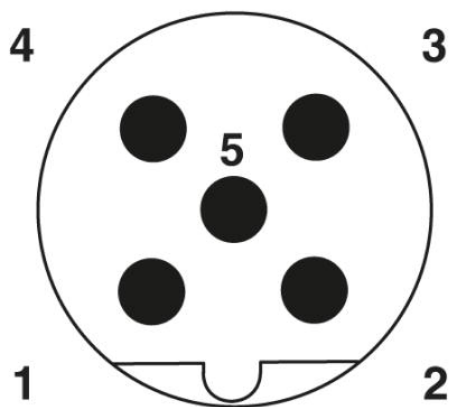
Standards/regulations	M12 connector IEC 61076-2-101
Coding	B - inverse
Degree of protection	IP67
Contact material	CuZn
Contact surface material	Au
Contact carrier material	PA 66
Material, knurls	Nickel-plated brass
Sealing material	NBR
Mounting type	Bipolar mounting M16 x 1.5
Status display	No

Diagrams/Drawings

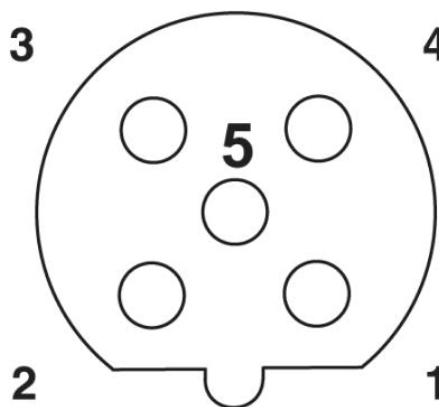
Dimensioned drawing



Schematic diagram



Pin assignment M12 male connector, 5-pos., B-coded, male side



Pin assignment M12 female connector, 5-pos., B-coded, female side

Address

PHOENIX CONTACT Inc., USA
586 Fulling Mill Road
Middletown, PA 17057, USA
Phone (800) 888-7388
Fax (717) 944-1625
<http://www.phoenixcon.com>



© 2010 Phoenix Contact
Technical modifications reserved;